

Unity of heart and soul.

Session no 8 of 18 May 2017 –English translation – Original Dutch.

Place : Mezza Verde in Belgium.

Received by Wivine.

Visitor : **Jesus – Christ Michael, Paradise Creator Son of our local universe Nebadon, located in Superunivers Orvonton – nr 7.**

Jesus: my dear children, I am here to tell you about my former Pentecostal message. A message that was lost and to which we'll give new life.

Pentecost is a commemoration of the bestowal of My "**Spirit of Truth**" on all humanity and at that time only a few were able to benefit from it. All those who believed in my gospel and they were with so much more than my twelve apostles. They were scattered in different cities and received it all at the same time. I couldn't do that before my departure from your world. It was impossible to me when I was still living in the middle of you as a human.

The outpouring of "**My Spirit**" gave everyone who connects to it the possibility to receive my inner guidance.

As soon as somebody voluntarily connects to it, I am able to assist that person during all her or his earthly life as well as during their ascension to Paradise. Do not think that 'My Spirit' will ever leave you when you're out of Nebadon. I'll always be with you to show you the Living Way and to support your quest of Living Truth. I'll wipe your tears, I'll give you courage and I'll cleanse your heart.

I taught people, approximately 2,000 years, according to their understanding. Meanwhile, people have evolved and 'My Teachings' must be adjusted to the populations of today.

This is possible because "My Spirit" dwells in all of you and thanks to that each new generation will include more and better everything I taught in those days and they will be able to reveal it to others.

"My Spirit" works together with 'My Father's Spirit' that dwells within you. We develop together your soul to a higher spiritual level.

God expects that all of you try to make contact with your indwelling God Fragment here on Earth, and unify with Him to form a companionship, as I demonstrated during my earthly life.

He would like to see all of you starting already here your ascension to Paradise; that all start working already here on this unification, this future **fusion** with your **Thought adjuster**, with your indwelling Divine Spirit.

This is what we "both" expect from all men and women on your planet.

We know that at present times, few people know and admit the presence of their **indwelling God Fragment**.

We know that not all connect to the "**Spirit of Truth**".

We know that not all will accept us in their hearts.

We also know that more people will do so in the future. Thanks to those who currently show this path to the entire world; without bells and whistles, simply by living it to become a bright beacon which will show the direction to "**The New Way**".

I turn now to your group and ask everyone in this group to become "**one heart and one soul**," a unit, the same way each one of you will form in the future one 'unit' with your Thought Adjuster.

You are **Sons and Daughters of God**, coming from various parts of the globe. Keep your identity and culture and be proud of it. Keep in mind that mankind has existed for more than 900,000 years and that no race or ethnic group never acted in the Perfection of God. None, not even now.

There has never been chosen nations nor chosen ones and there will never be, on the contrary. Remember that you are children of God and he loves all of you the same way. He will not love one more than another.

Every human is "unique" and climbs all levels to Paradise at his own pace, according to his environment and his culture. Soul evolution can never be viewed on one earthly life.

All of you have different abilities. However, we brought those ones together from whom we saw they had enough common factors and aspirations to form your group. A group whose members strive to achieve the goal 'We' keep them in mind.

A group that lets itself be guided by "Gods indwelling Spirit" and my "Spirit of Truth". A group that puts itself under the direction of those who teach them as the [Melchizedeks](#) and the [Seraphim](#).

This type of group will never fall into the trap of creating rigid doctrines, in sectarian behavior and will never develop a sense of superiority as a result of their membership of that group.

Such a group of people quickly becomes well aware that they belong to a huge **cosmic family** of billions of humans and celestials and this awareness makes them **humble**.

There is no uniformity in this **Cosmic Family**, everything is diversity and everyone serves the other with pleasure according to their abilities; all are developing through experience; all the big brothers and sisters help the youngsters while they continue their education to improve.

This is the reason why I ask you, my dear children, to form a "unity" as a group in heart and soul, without losing your diversity.

When [Machiventa Melchizedek](#) bestowed himself some 4,000 years ago, among the peoples of Urantia to revive their belief in God, he materialized as an adult. During his life, he was wearing on his chest the [symbol of the Trinity of your planetary system Satania: three concentric circles](#).

He has chosen it because it was a strong symbol that inspired people with awe.

A few months ago, I gave to one of you the model of a "cross". This woman wanted to make a drawing of the Isle of Paradise with the seven Superuniverses revolving around, as well as the four bands of the outer spaces levels that circulate around the seven Superuniverses, but she encountered some problems.

I helped her out by telling her to draw first a cross with isosceles (symmetric) arms and then draw lines on each arm representing the whole [Master Universe](#). She took my advice and drew it according to the measures indicated, to then make it in a wood of her region.

This « **Cross is the symbol of Nebadon of my bestowal on Urantia.** »
It is my present to all people on earth for this Pentecost fest 2017.

This « Cross » symbolizes my bestowal, my earthly life, for all humans and celestial orders of Nebadon and beyond.

It symbolizes the highest form of **voluntary service**.

It symbolizes 'men and women' who devote their lives to their fellowmen out of love, with all their heart and soul to help draw them nearer to God and discover the final destination of the soul.

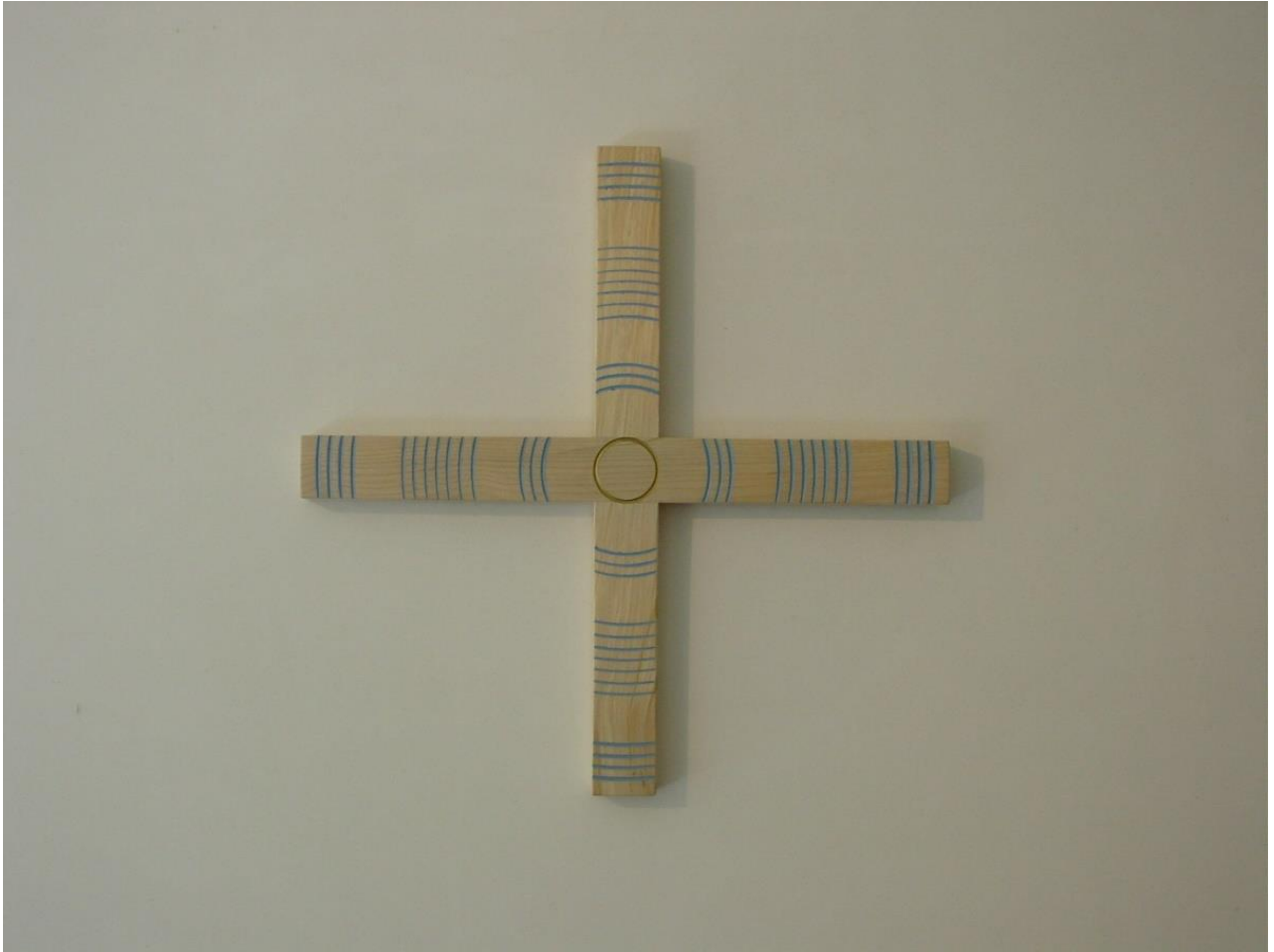
It symbolizes the '[New Way](#)' that I opened for you during my human life.

It symbolizes the revelation that God lives within each person and that the path to Paradise begins by establishing a personal relationship with God.

It symbolizes your entire Cosmic Family, living on all worlds of the universe. This is the "**Cross of Christ of Nebadon**".

I ask everyone: do not take a patent on it and never use it as a symbol for a determined group, association or foundation.

This symbol belongs now to your entire planet and is My gift to [all Humanity of Nebadon](#).



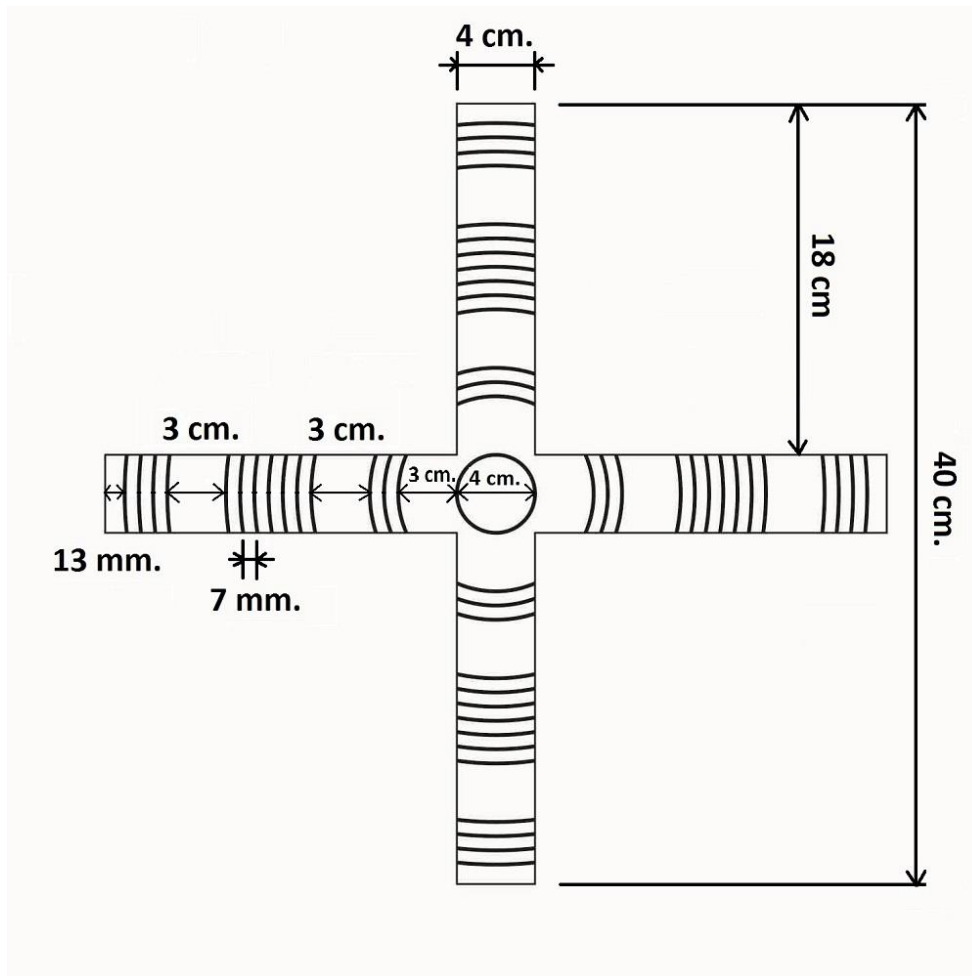
The Cross of Christ of Nebadon.

Goodbye, my lovely children. Goodbye.

END.

{Note Wivine: you will find the measurements on the image below. The arms of the cross are each 40 cm. It is an isosceles cross; You can make it in any type of wood or make a drawing or a painting of it. You can put it in color. The dimensions are expressed in centimeters and must be accurate or it does not do the job. All becomes inharmonious, and it feels and shows when you look at it.

It helps to meditate, or if you want to listen to God in silence. When you look at it, it bestows an impression on the soul. This is what we have experienced. We were all very pleased with this gift and now even more because we can share it with the entire world.}



GROUP MEZZA VERDE

<http://www.mezzaverde.com>

For explanations of the words in blue, see the Urantia Book.